

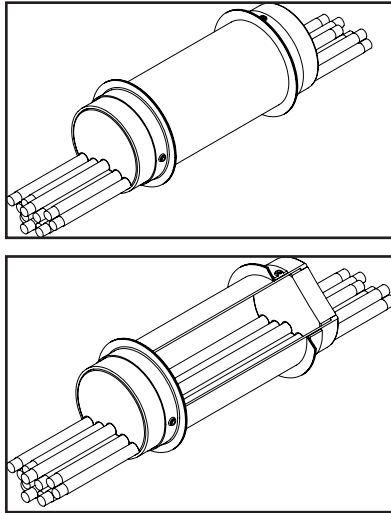


READY™ SLEEVE FIRESTOP SLEEVE

APPLICATIONS

SpecSeal® READY™ SLEEVE Pathways are used to protect or support cables in both non-rated and rated construction.

SpecSeal® READY™ SLEEVE Pathways are suitable for use in all common constructions including concrete floors, concrete walls, concrete block walls, and gypsum board/stud wall assemblies up to 10" (250 mm) thick.



PRODUCT DESCRIPTION

SpecSeal® READY™SLEEVE Pathways are a complete UL® Classified out-of-the-box solution for new cable penetrations through walls. Each sleeve kit contains a precut metallic sleeve, mounting escutcheons, intumescent escutcheon gaskets, wall warning labels, and the amount of putty required to seal both ends.

SpecSeal® READY™SLEEVE Pathway kits are simple in design and installation. The larger 2" and 4" (51 and 102 mm) trade sizes, include a unique rolled lip design to eliminate potential sharp edges and do away with the need for conduit bushings. Bushings are required (and included) for the 1" (25 mm) trade size sleeve.

SpecSeal® READY™SLEEVE Pathways are sized to the same O.D. as standard EMT (Electrical Mechanical Tubing) and will accept EMT accessories such as grounding bushings. Additionally, SpecSeal® READY™SLEEVE Pathways provide an easy method for compliance with the sleeve attachment requirements of the 2000 IBC Section 711.2 without the need for struts or other bracing.

FEATURES

- **Economical:** Offers significant material and labor savings.
- **Ready to Install:** No cutting required, no waste!
- **Locks Into Place:** No support struts and clamps required
- **No External Firestop Seal Required:** Factory supplied intumescent firestop gasket
- **Firestop Putty Provided with Kit:** Sufficient to seal ends to 1" (25 mm) depth
- **UL Classified and Code Compliant**
- **For Rated and Non-Rated Barriers:** Putty seal impedes the passage of fire, smoke, superheated gases, particulate dust, and minimizes noise transmission

PERFORMANCE

SpecSeal® READY™SLEEVE pathways are UL tested and Classified in accordance with ASTM E814 (UL1479). Systems are available for cable penetrations through common wall constructions up to and including 4 hours.

	FILL, VOID OR CAVITY MATERIALS CLASSIFIED BY UNDERWRITERS LABORATORIES INC.® FOR USE IN THROUGH-PENETRATION FIRESTOP SYSTEMS.
	SEE UL FIRE RESISTANCE DIRECTORY
	UNDERWRITERS LABORATORIES INC.® CLASSIFIED WALL PROTECTION MATERIAL. SEE PRODUCT CATEGORY IN UL FIRE RESISTANCE DIRECTORY
	CLASSIFIED FILL, VOID, OR CAVITY MATERIALS FOR USE IN THROUGH-PENETRATION FIRESTOP SYSTEMS. SEE UL DIRECTORY OF PRODUCTS CERTIFIED FOR CANADA AND UL FIRE RESISTANCE DIRECTORY

PHYSICAL PROPERTIES

Available Sizes:	1" (25 mm), 2" (51 mm), and 4" (102 mm)
Sleeve and Plate:	
Construction:	0.059" (1.5 mm) thick steel (zinc plated)
Intumescent Gasket:	
Storage Temperature:	Less than 120°F (49°C)
Expansion Temperature:	350°F (177°C)
Volume Expansion:	15x (free expansion)
In Service Temperature:	-10°F (-23°C) to 120°F (49°C)
Putty Fill Material:	SpecSeal® Firestop Putty
Color:	Red
Odor:	None
Solids:	100%
Storage Temperature:	Less than 120°F (49°C)
Expansion Temperature:	230°F (110°C)
Volume Expansion:	8x (free expansion)
In Service Temperature:	-10°F (-23°C) to 120°F (49°C)
VOC Content:	0.00 lbs/gal (0.0 g/l)
Shelf Life:	No Limit

SPECIFICATIONS

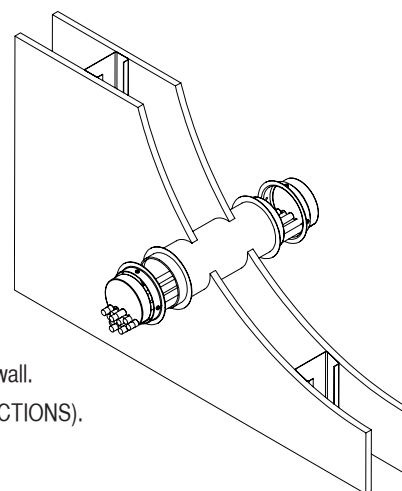
All data, video, communication, power, and control cables shall be installed through sleeves wherever said cables penetrate fire resistance rated barriers. The sleeve shall be sized to accommodate the present cable bundle as well as anticipated growth. The sleeve kit shall include steel escutcheon plates and intumescent firestop gaskets sized to fit the specific outside diameter of the sleeve and sandwich the barrier to lock said sleeve in place. The sleeve shall be provided with a sufficient thickness of intumescent firestop putty to seal the ends of the sleeve to restrict the passage of fire, smoke, and superheated gases. The firestop sleeve shall be UL Classified and tested to the requirements of ASTM E 814 (ANSI/UL1479).

SPECIFIED DIVISIONS

Division 7	07840	Through-Penetration Firestopping
Division 16	16050	Basic Electrical Materials & Methods



Table A:			
Catalog Number	Trade Size*	Min. Opening	Max. Opening
FS100	1" (25 mm)	1.116" (29 mm)	1.25" (32 mm)
FS200/FS201	2" (51mm)	2.375" (60.3 mm)	2.5" (65 mm)
FS400/FS401	4" (102 mm)	4.5" (114 mm)	4.5" (114 mm)



INSTALLATION INSTRUCTIONS

SpecSeal® READY™ SLEEVE pathways are easily installed using the following steps:

1. Create an appropriately sized opening through wall (See Table A).
2. Slide sleeve into opening. Center in wall with sleeve extending equidistant from both sides of wall.
NOTE: Sleeves can be pre-set to wall depth prior to installation (See INSTALLATION INSTRUCTIONS).
3. Install intumescent gaskets around ends of sleeve and slide to wall surface.
4. Install escutcheon plates around ends of sleeve and slide to wall.
5. With escutcheon plates held tightly to wall, tighten set screws.
6. Install conduit bushings on end of sleeve (1" (25 mm) trade size only).

FOR 3 & 4 HOUR WALLS: Note: Most barriers are rated at 2 hours or less. In situations where walls are rated for 3 or 4 hours, compress and pack tightly minimum 4 pcf (64 kg/m³) mineral wool batt insulation (not provided with kit) into sleeve prior to installation or putty. Mineral wool must be ordered separately (Catalog Number SSAMW). See UL Systems for more information. MINERAL WOOL IS NOT REQUIRED FOR 1 & 2 HOUR RATED WALLS.

CABLE AND FIRESTOP INSTALLATION

Install cables through sleeve. After installing cables, pack ends of sleeve with SpecSeal Firestop Putty (included). Install putty to a depth of 1" (25 mm). Pack putty completely around cable bundle sealing all gaps and interstices. Install Barrier Labels on both wall surfaces.

CABLE CHANGES AND MAINTENANCE

SpecSeal® Firestop Putty is permanently non-hardening to facilitate the removal or addition of cables. After cable changes, reinstall putty to original depth. NOTE: This product represents a UL Classified Firestop System. Only approved SpecSeal® materials may be used. NO SUBSTITUTIONS ARE PERMITTED.

TECHNICAL SERVICE

Technical information including Product Data Sheets, Installation Instructions, applicable UL Classified Systems, Certificates of Conformance, and suggested specifications are available at the company's web site (www.stifirestop.com). For other information, contact the factory directly by dialing (800) 992-1180.

PRECAUTIONARY INFORMATION

No unusual hazards are known or expected. Observe normal safety procedures during installation.

AVAILABILITY

SpecSeal® READY™ SLEEVE Pathways are available from authorized STI distributors worldwide. Consult factory for the names and locations of the nearest sales representatives or distributors. Ordering information is listed below:

TABLE B: ORDERING INFORMATION

CAT. NO.	DESCRIPTION
FS100	1" (25 mm) sleeve, escutcheon plates, gaskets, and putty
FS200	2" (51 mm) sleeve, escutcheon plates, gaskets, and putty
FS400	4" (102 mm) sleeve, escutcheon plates, gaskets, and putty
FS201	2" (51 mm) sleeve, large escutcheon plates, gaskets and putty
FS401	4" (102 mm) sleeve, large escutcheon plates, gaskets and putty

Additional SpecSeal® Products...

Series SSP Intumescent Firestop Putty
Non-hardening putty for sealing cable penetrations. Provides easy retrofit for moves, adds and changes.

Series LCI Intumescent Firestop Sealant
Versatile and economical caulk for firestopping applications in small commercial and residential construction.

Series SSS Intumescent Firestop Sealant
All-purpose premium grade caulk for firestopping a wide array of applications in all common construction.



CITY OF NEW YORK MEA 30-92-M

Important Notice: All statements, technical information, and recommendations contained herein are based upon testing believed to be reliable, but the accuracy and completeness thereof is not guaranteed. WARRANTY: Specified Technologies Inc. manufactures its goods in a manner to be free of defects. Should any defect occur in its goods (within one year), Specified Technologies Inc., upon prompt notification, will at its option, exchange or repair the goods or refund the purchase price. Limitations and Exclusions: THIS WARRANTY IS IN LIEU OF ALL OTHER REPRESENTATIONS EXPRESSED OR IMPLIED (INCLUDING THE IMPLIED WARRANTIES OF MERCHANTABILITY OR FITNESS FOR USE) AND UNDER NO CIRCUMSTANCES SHALL SPECIFIED TECHNOLOGIES INC. BE RESPONSIBLE FOR ANY INCIDENTAL OR CONSEQUENTIAL PROPERTY DAMAGE OR LOSSES. PRIOR TO USE, THE USER SHALL DETERMINE THE SUITABILITY OF THE PRODUCT FOR ITS INTENDED USE, AND THE USER ASSUMES ALL RISKS AND LIABILITY FOR SUBSEQUENT USE. No statement or recommendation not contained herein shall have any force or effect unless in an agreement signed by officers of seller and manufacturer.

MADE IN THE USA – COPYRIGHT © 2008 SPECIFIED TECHNOLOGIES, INC.



Specified Technologies Inc. • 200 Evans Way, Somerville NJ 08876 • Phone: 800.992.1180 • Fax: 908.526.9623

